



Okanogan County
Department of PublicWorks

1234-A Second Ave. S. - Public Services Building
Okanogan, WA 98840

Joshua L. Thomson, P.E.
County Engineer

Addendum No. 1
CRP No. 9221-06 Salmon Creek Drainage

ATTENTION: ALL BIDDERS AND PLANHOLDERS

The following changes will be made to the bid packet for the above referenced project:

- 1. Bid item number 14 on the Bid Proposal sheet shall be changed to read as follows:

Table with 5 columns: Item Number (14), Description (Lump Sum), Item Name (Contractor Designed Buried Structure No.1 (4335)), Unit (Lump Sum), and Price (\$). The price field is blank.

- 2. Plan Sheets 3, 4, 6, 8, 9 and 11 have associated text changes and are replaced with attached.
3. Bidders are instructed to make a pen and ink change on page 69 of the Contract Plan & Provisions, under Payment section strikethrough line 31 "Precast Reinf. Conc. Three-Sided Structure-Salmon Creek Drainage." Replace with " Contractor Designed Buried Structure No. 1".

Each bidder currently on the planholders list will be issued a corrected bid proposal sheet, and this correction shall be incorporated into any new bid packets issued here after.

Bidders shall furnish the Okanogan County Commissioners with evidence of the receipt of this addendum by indicating on the Bid Proposal signature page. This addendum will be incorporated in the contract when awarded and when formally executed.

Handwritten signature of Joshua L. Thomson, P.E.
Joshua L. Thomson, P.E.
County Engineer

5/19/22
DATE

SUMMARY OF QUANTITIES

ITEM NO.	STANDARD ITEM NO.	TOTAL PLAN QUANTITY	UNIT	ITEM DESCRIPTION	FINAL QUANTITY (AS BUILT)
SECTION 1 PREPARATION					
1	0001	Lump Sum	L.S.	Mobilization	
2	0035	Lump Sum	L.S.	Clearing and grubbing	
3	0071	Lump Sum	L.S.	Remove Existing Structure	
SECTION 2 GRADING					
4	0310	200	C.Y.	Roadway Excavation Incl. Haul	
5	0405	400	C.Y.	Common Borrow Incl. Haul	
6	0470	600	C.Y.	Embankment Compaction	
SECTION 4 DRAINAGE					
7	1040	240	C.Y.	Channel Excavation Incl. Haul	
8	1069	25	C.Y.	Filter Blanket	
9	1076	140	C.Y.	Heavy Loose Riprap	
10	2279	60	L.F.	Plain ST. Culv. Pipe Arch 0.064 IN. TH. 35IN Span	
SECTION 8 STRUCTURE					
11	4006	300	C.Y.	Structural Excavation Class A Incl. Haul	
12	4013	Lump Sum	L.S.	Shoring or extra excavation Class A	
13	4125	190	C.Y.	Gravel Backfill for Wall	
14	4335	Lump Sum	L.S.	Contractor Designed Buried Structure NO 1 [⚠]	
SECTION 9 SURFACING					
15	5100	950	TON	Crushed Surfacing Base Course	
SECTION 14 HOT MIX ASPHALT					
16	5767	285	TON	HMA Class 1/2 in. PG 64-28	
17	5830	1	Calc.	Job Mix Compliance Price Adjustment	
18	5835	1	Calc.	Compaction Price Adjustment	

ITEM NO.	STANDARD ITEM NO.	TOTAL PLAN QUANTITY	UNIT	ITEM	FINAL QUANTITY (AS BUILT)
SECTION 17 EROSION CONTROL					
19	6403	25	Day	ESC lead	
20	6414	1	Acre	Seeding, Fertilizing and Mulching	
21	6488	Lump Sum	L.S.	Erosion Control and water Pollution Prevention	
SECTION 18 TRAFFIC					
22	6712	90	L.F.	Beam Guardrail type 31 9ft post	
23	6719	2	Each	Beam Guardrail type 31 Non-flared Terminal	
24	6760	4	Each	Beam Guardrail transition section type 21	
25	6766	2	Each	Beam Guardrail Anchor type 10	
26	6806	2400	L.F.	Paint Line	
27	6895	600	L.F.	Temporary pavement marking- short duration	
28	6917	Lump Sum	L.S.	Project Temporary Traffic Control	
29	6974	Lump Sum	L.S.	Traffic Control Supervisor	
30	6980	960	HR	Flaggers	
SECTION 19 OTHER ITEMS					
31	7006	50	C.Y.	Structure Excavation Class B Incl. Haul	
32	7008	Lump Sum	L.S.	Shoring or Extra Excavation Class B	
33	7018	300	MGAL	Water	
34	7037	Lump Sum	L.S.	Structural Surveying	
35	7038	Lump Sum	L.S.	Roadway Surveying	
36	7114	150	L.F.	Remove and Reset Wire Fence	
37	7535	140	S.Y.	Geotextile Fabric	
38	7490	Lump Sum	L.S.	Trimming and Cleanup	
39	7728	1	Calc.	Minor Change	
40	7732	1	Calc.	Aggregate compliance	
41	7736	Lump Sum	L.S.	SPCC Plan	
42	(----)	150	L.F.	Temp Fence	
43	(----)	Lump Sum	L.S.	Stream Diversion and De-Watering	
44	(----)	3	Each	Remove and Reset Sign	

[⚠] Addendum 1 (5-19-22)

Designed by: LS Date: 5/2022
 Drawn by: LS Date: 5/2022
 Checked by: Date:
 Fed. Funct. Class:
 Terrain Type:
 Design Year: 5/2022
 Design Year ADT.: 5/2022
 Design Speed:

Fed. Aid Proj. No. N/A
 Contract No. 2419-01
 R.A.P. Project No. 9221-06



5/19/22
Approval Date



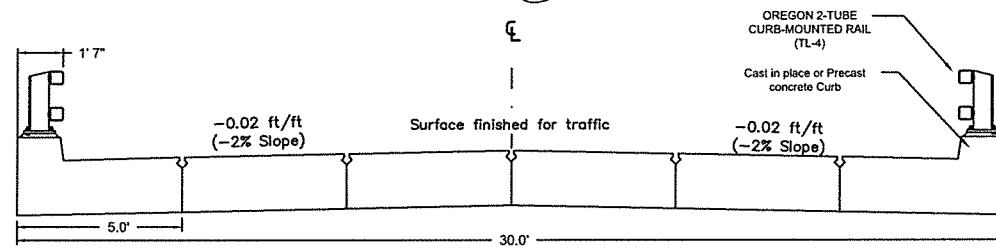
Okanogan County
 Department of Public Works
 1234-A 2nd Ave. S. 509-422-7300
 Okanogan, Washington 98840

CPR No. 9221-06
 Summary of Quantities

Salmon Creek Rd Drainage

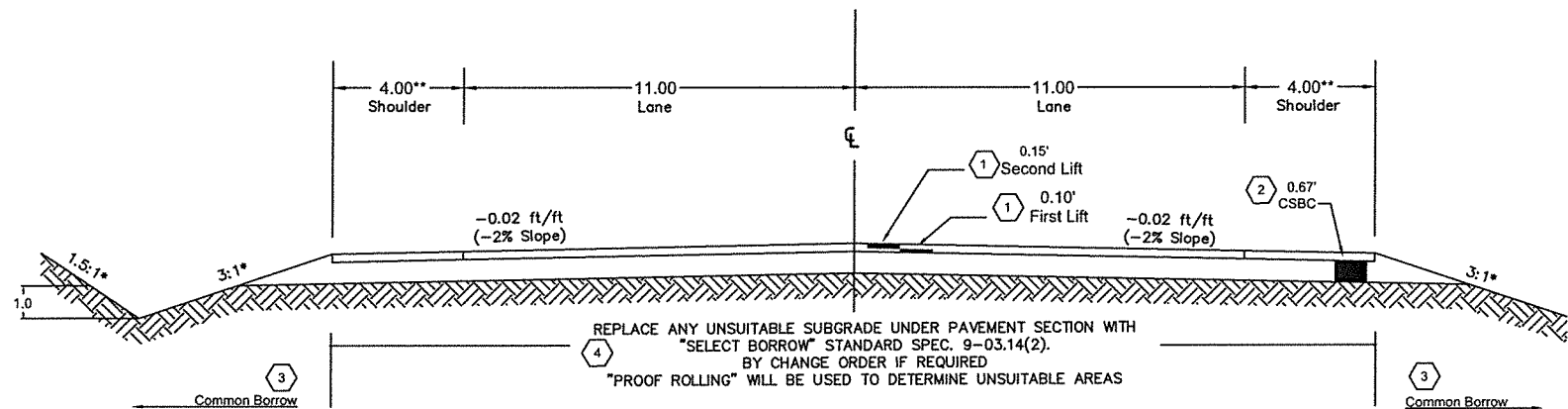
SHEET
3
 of
13

STRUCTURE No 1 SECTION



Overlay on structure and approach slabs per Std. Spec 6-20.3 (1) H not required

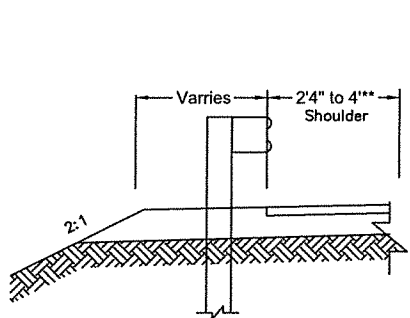
- LEGEND**
- * See Embankment Sections
 - ** See Guardrail Sections
 - 1 H.M.A. Class 1 PG 64-28 in two lifts
Std. Spec.5-04.3
 - 2 Crushed Surface Base Course (max. 0.35' per lift)
Std. Spec.4-04.3(4)
 - 3 Common Borrow, use approved Roadway Excavation
Std. Spec.9-03.14(3)
 - 4 Select Borrow, use by Change Order if required
Std. Spec.9-03.14(2)
 - 5 All guardrail installation shall use steel posts



TYPICAL ROADWAY SECTIONS

LEFT	RIGHT
Sta. 0+00 to Sta. 5+00 (D1&2)	Sta. 0+00 to Sta. 5+65 (D1&2)
Sta. 7+81 to Sta. 8+00	Sta. 7+50 to Sta. 8+00

GUARDRAIL SECTIONS



LEFT	RIGHT
Sta. 5+00 to Oregon 2tube	Sta. 5+65 to Oregon 2tube
Oregon 2tube to Sta. 7+81	Oregon 2tube to Sta. 7+50

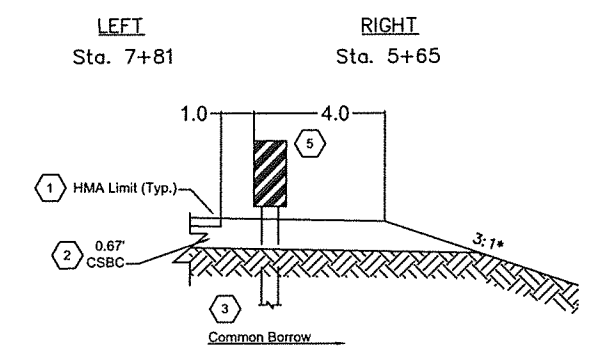
NOTE
Shoulder width varies with guardrail position during transition to bridge deck.
4' Standard to 2' 4" on Deck

EMBANKMENT SECTIONS

LEFT	RIGHT
Sta. 5+00 to Bridge Deck	Sta. 5+65 to Bridge Deck
Bridge Deck to Sta. 8+00	Bridge Deck to Sta. 7+45

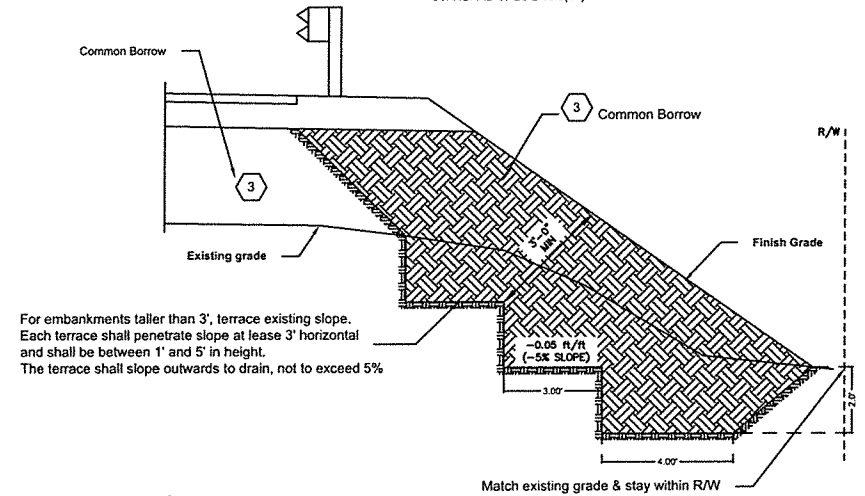
SHOULDER WIDENING AT NON-FLARED TERMINAL

STANDARD PLAN C-22.40-08 BEAM GUARDRAIL TYPE 31 NON-FLARED TERMINAL (ALL POSTED SPEEDS)



HILLSIDE TERRACE

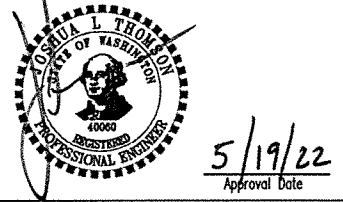
STANDARD SPEC 2-03.3(14)



Addendum 1 (5-19-22)

Designed by: LS	Date: 5/2022
Drawn by: LS	Date: 5/2022
Checked by:	Date:
Fed. Funct. Class:	
Terrain Type:	
Design Year: 5/2022	
Design Year ADT.: 5/2022	
Design Speed:	

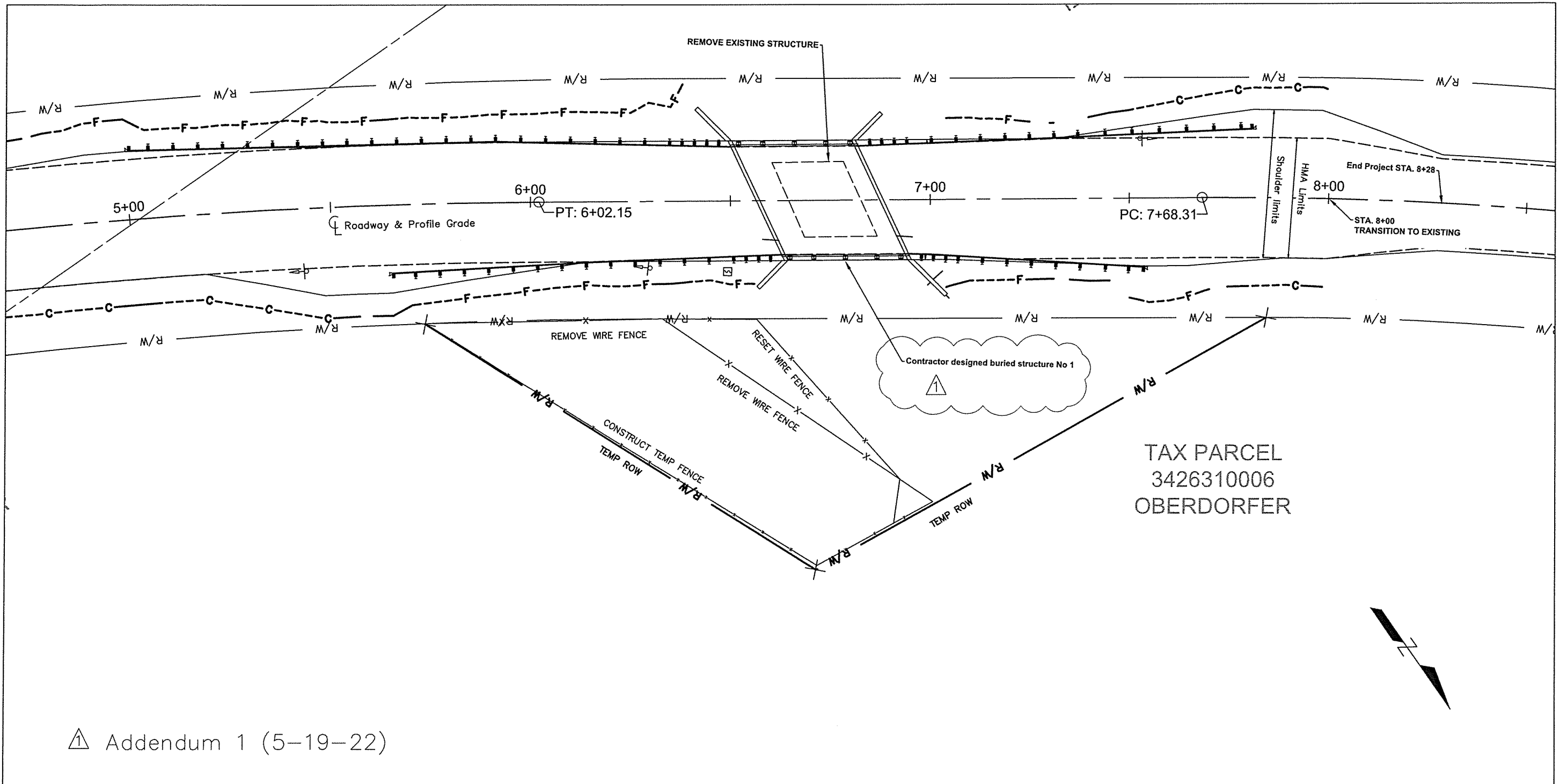
Fed. Aid Proj. No.	N/A
Contract No.	2419-01
R.A.P. Project No.	9221-06



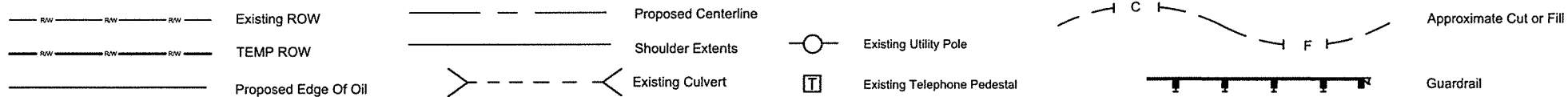
Okanogan County
Department of Public Works
1234-A 2nd Ave. S. 509-422-7300
Okanogan, Washington 98840

CPR No. 9221-06
Standard Sections
Salmon Creek Rd Drainage

SHEET
4
of
13



△ Addendum 1 (5-19-22)



Designed by: LS	Date: 5/2022
Drawn by: LS	Date: 6/2022
Checked by:	Date:
Fed. Funct. Class:	
Terrain Type:	
Design Year: 5/2022	
Design Year ADT: 5/2022	
Design Speed:	

Fed. Aid Proj. No.	N/A
Contract No.	2419-01
R.A.P. Project No.	9221-06



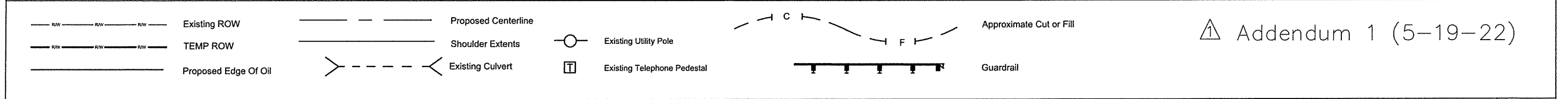
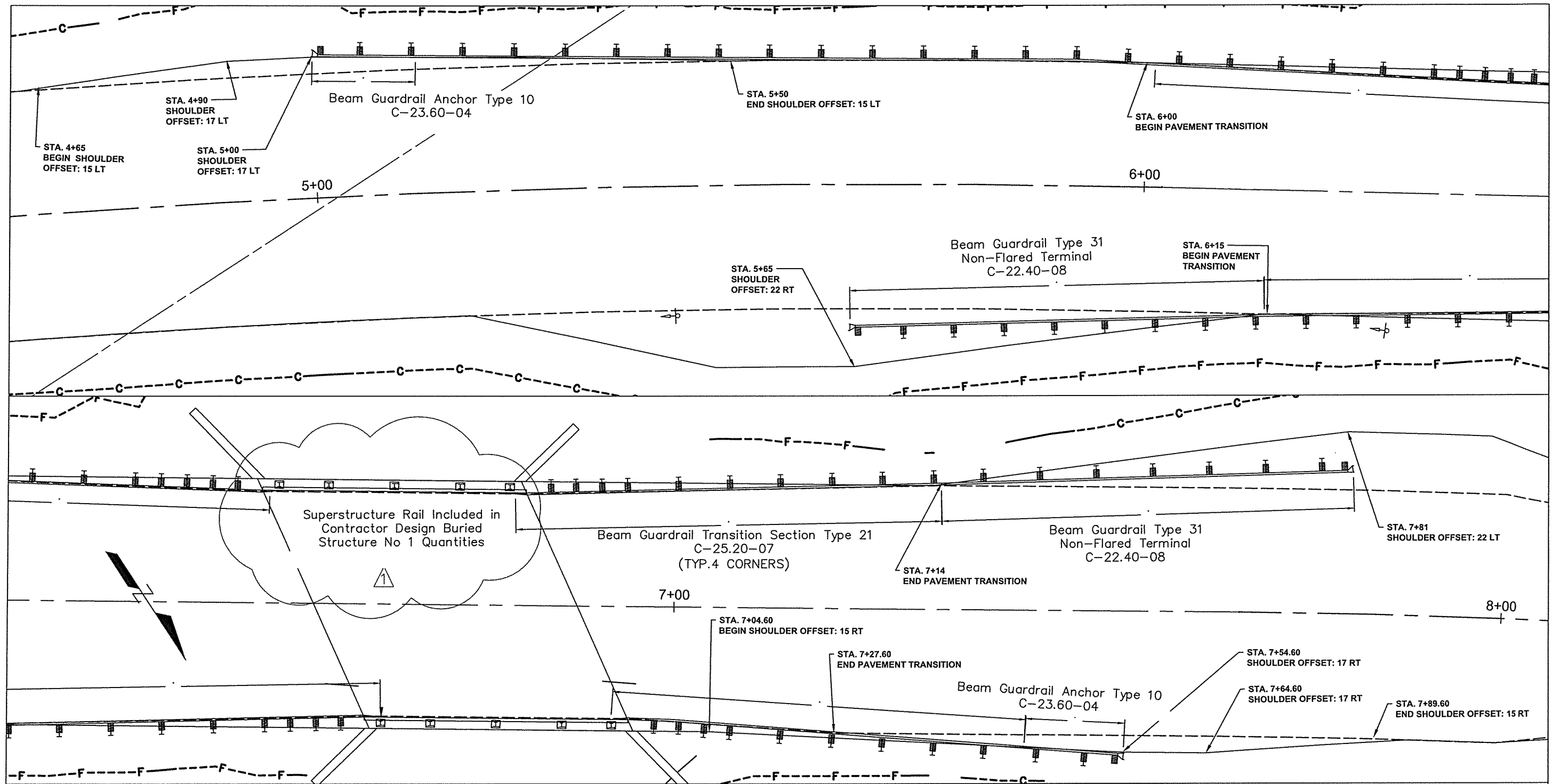
5/19/22
Approval Date



Okanogan County
Department of Public Works
1234-A 2nd Ave. S. 509-422-7300
Okanogan, Washington 98840

CPR No. 9221-06
Roadway Plan
Section 5+00 to 8+28
Salmon Creek Rd Drainage

SHEET
6
of
13



△ Addendum 1 (5-19-22)

Designed by: LS	Date: 5/2022
Drawn by: LS	Date: 5/2022
Checked by:	Date:
Fed. Funct. Class:	
Terrain Type:	
Design Year: 5/2022	
Design Year ADT.: 5/2022	
Design Speed:	

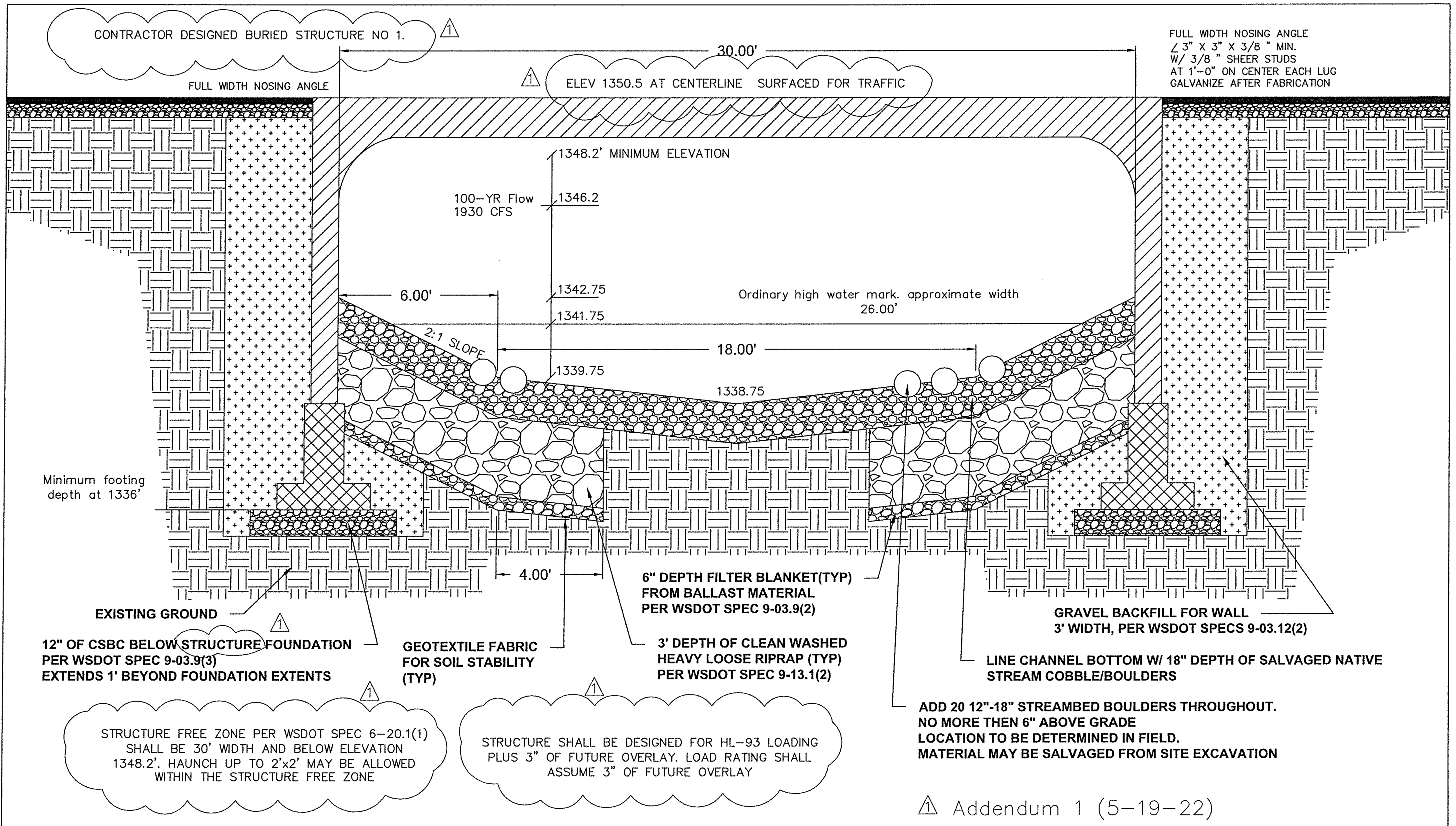
Fed. Aid Proj. No.	N/A
Contract No.	2419-01
R.A.P. Project No.	9221-06

5/19/22
Approval Date

Okanogan County
Department of Public Works
1234-A 2nd Ave. S. 509-422-7300
Okanogan, Washington 98840

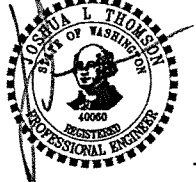
CPR No. 9221-06
Guardrail Plan
Salmon Creek Rd Drainage

SHEET
8
of
13



Designed by: LS Date: 5/2022
 Drawn by: LS Date: 5/2022
 Checked by: Date:
 Fed. Funct. Class:
 Terrain Type:
 Design Year: 5/2022
 Design Year ADT.: 5/2022
 Design Speed:

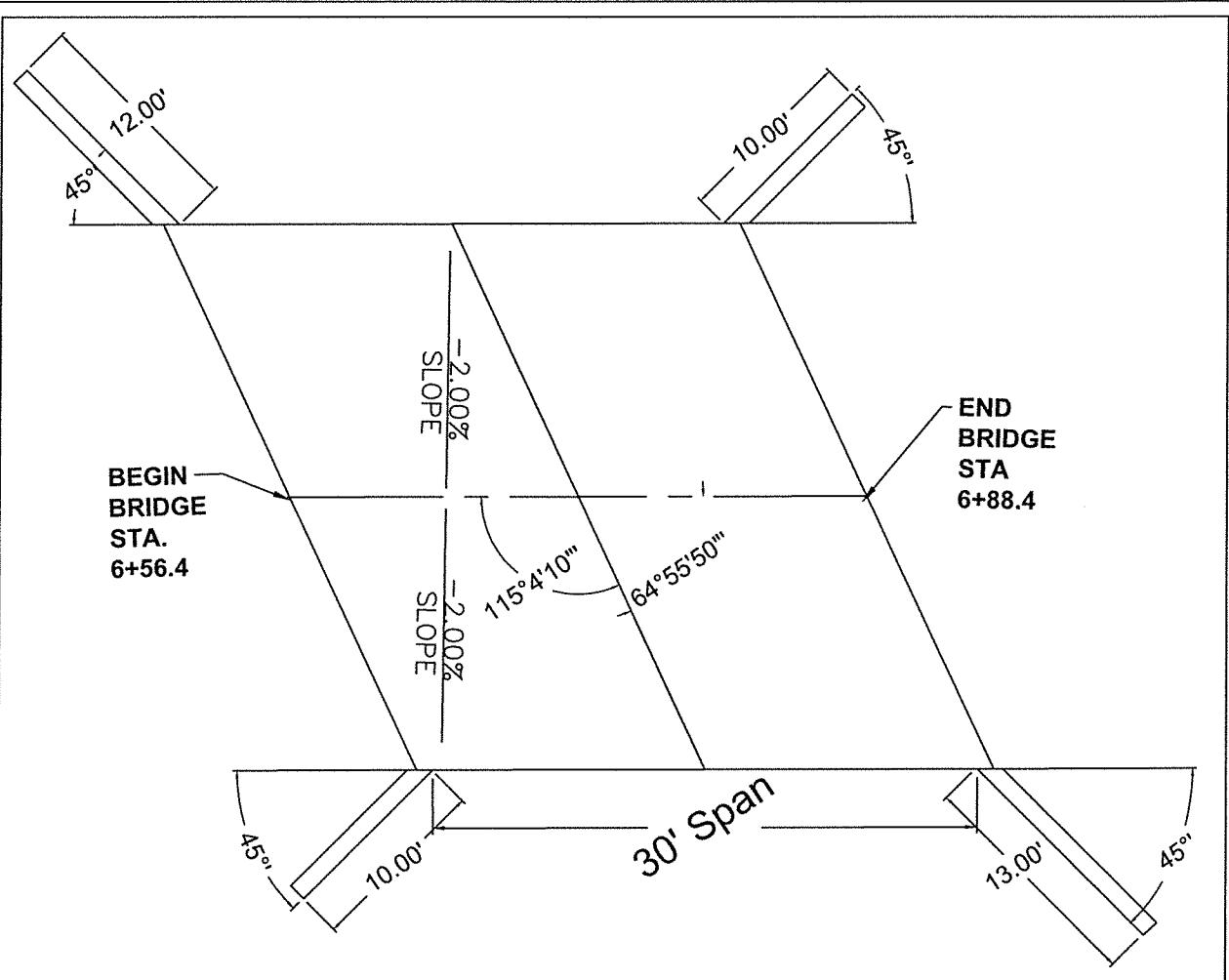
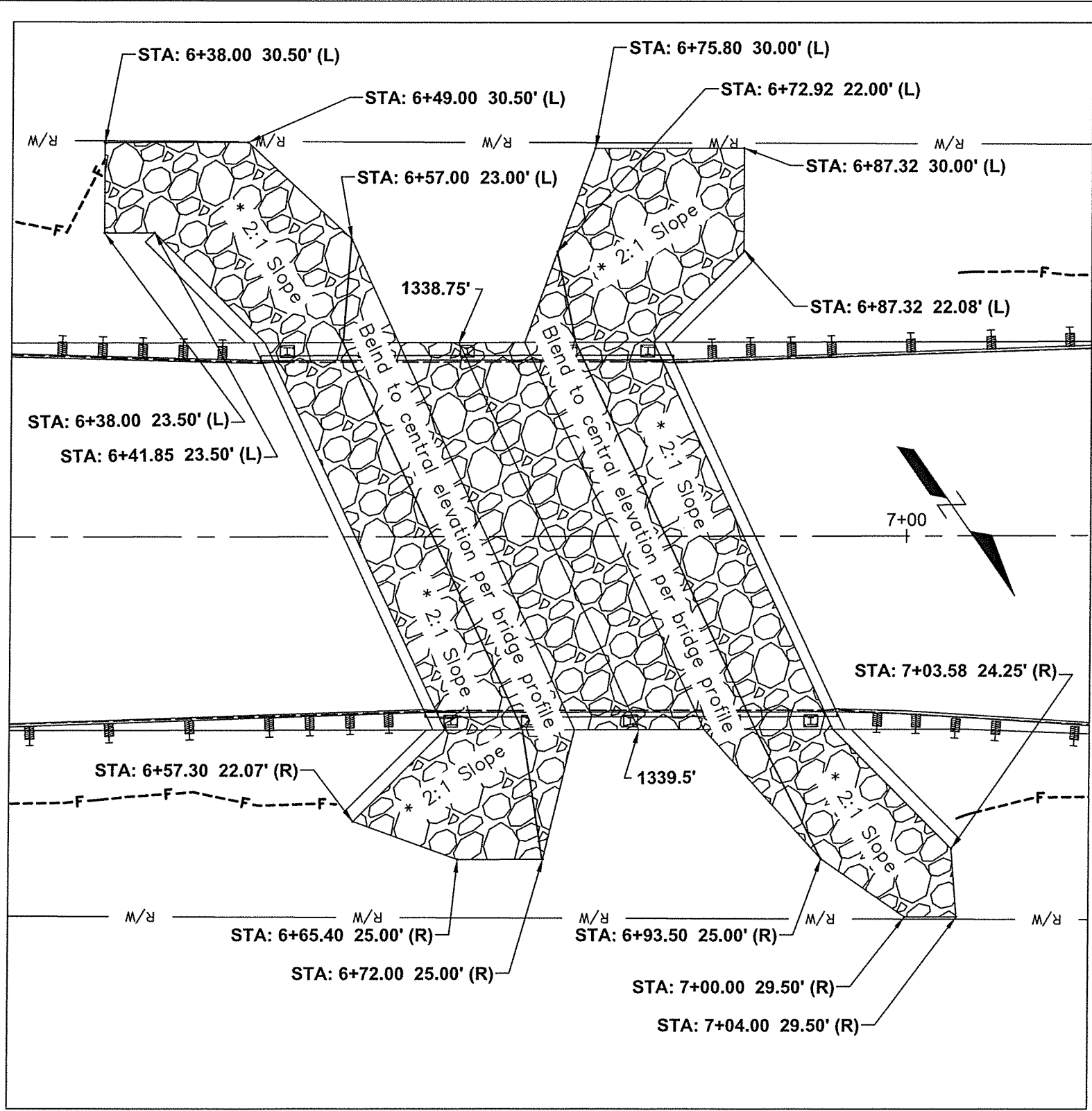
Fed. Aid Proj. No. N/A
 Contract No. 2419-01
 R.A.P. Project No. 9221-06


 5/19/22
 Approval Date


Okanogan County
 Department of Public Works
 1234-A 2nd Ave. S. 509-422-7300
 Okanogan, Washington 98840

CPR No. 9221-06
 Structure Profile
 Salmon Creek Rd Drainage

SHEET
 9
 of
 13



NOTE: Riprap elevation matches and blends to existing ground within R/W

* See Structure Profile

Addendum 1 (5-19-22)

Designed by: LS	Date: 5/2022
Drawn by: LS	Date: 5/2022
Checked by:	Date:
Fed. Funct. Class.	
Terrain Type:	
Design Year: 5/2022	
Design Year ADT.: 5/2022	
Design Speed:	

Fed. Aid Proj. No.	N/A
Contract No.	2419-01
R.A.P. Project No.	9221-06

5/19/22
Approval Date



Okanogan County
Department of Public Works
1234-A 2nd Ave. S. 509-422-7300
Okanogan, Washington 98840

CPR No. 9221-06
Structure Plan & RIP RAP
Salmon Creek Rd Drainage

SHEET
11
of
13